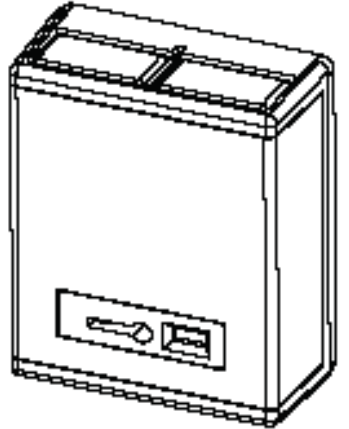




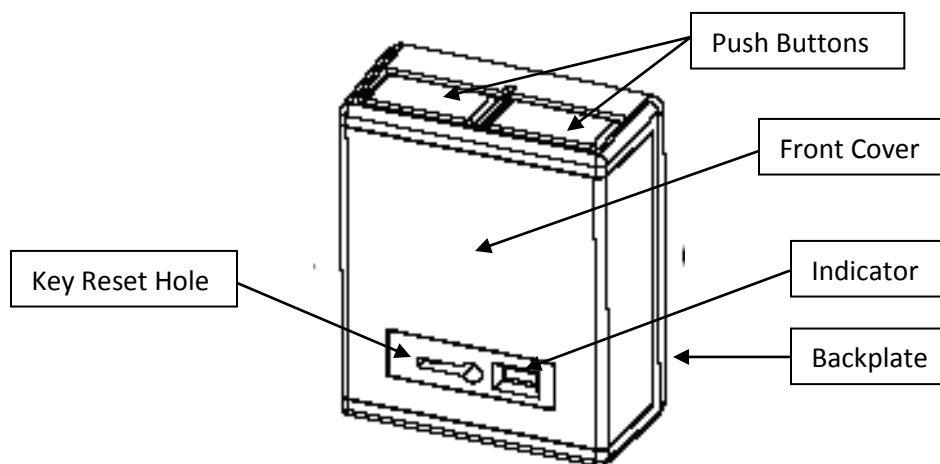
# CQR PADP2 / SS / G1



Rev.1

<b>Index</b>	<b>Page</b>
PA Overview	2
Installation Instructions	3
- Mounting	3
- Wiring	3
- Backplate Diagram	3
Operation	4
- Operating	4
- Resetting	4
Specification	4

## PA Overview



## Installation Instructions

### Mounting

Undo the two cover screws to remove the front cover from the Backplate.

Fix Backplate to mounting surface using suitable fixings.

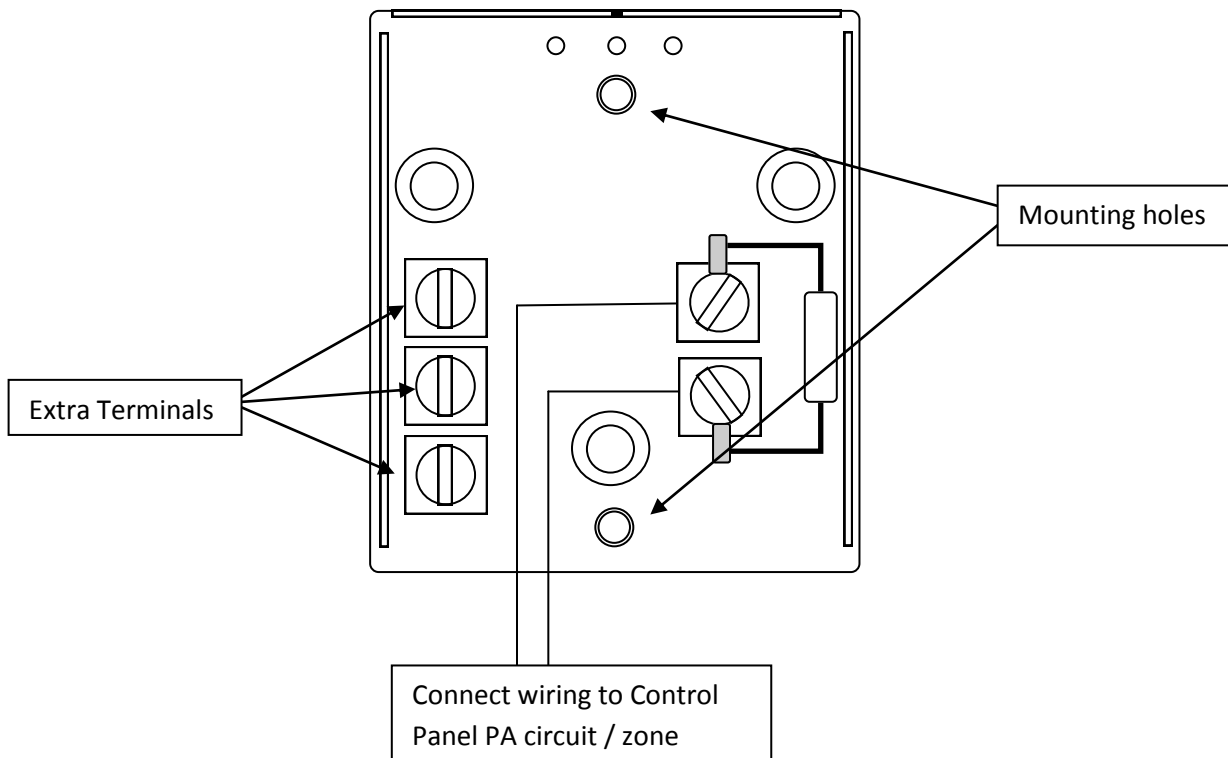
### Wiring

Route the cable through the access holes in the rear of the Backplate.

Connect control panel PA zone/circuit to the two reed switch terminals inside the PA Button (not polarity conscious) as shown below.

Refit cover to PA Backplate.

### Backplate Diagram



Note: Three extra terminals are provided for terminating other circuit wires.

## Operation

To Operate	Press both red buttons simultaneously. Indicator will show RED.
To Reset	Insert supplied key into front cover and turn clockwise through 90°. Indicator will show Yellow. Remove key.
Note:	Remove key from PA button whilst not in use and store carefully.

## Specification

Operation	Double Push
Material	ABS
Switch	Reed
NO/NC Configuration	Both
Terminals	5
Tamper	None
Reset	Latch
Indicator	Yes
Backlit	No
Max Voltage	50v DC
Max Current	500mA
Security Grade	1
Environmental Class	II
Dimensions (w) x (h) x (d)mm	62 x 75 x 30